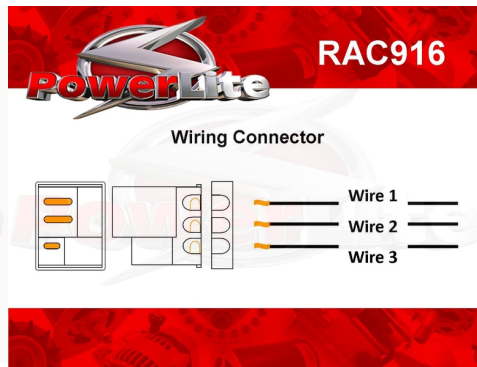


# Auto Electrical Accessories

## RAC916

Standard alternator euro-plug connector for 18 ACR Lucas type unit. Replaces GEU250

Standard alternator euro-plug connector for 18 ACR Lucas type unit. Replaces GEU250



RAC916	
Item	Value
Weight	0.10 kg