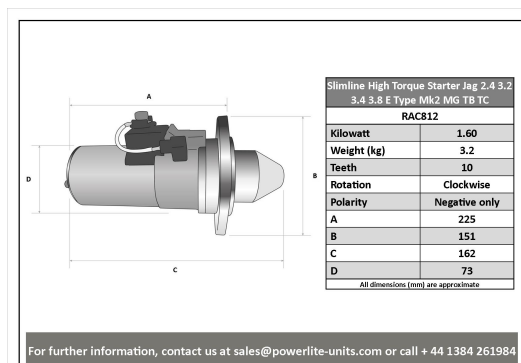
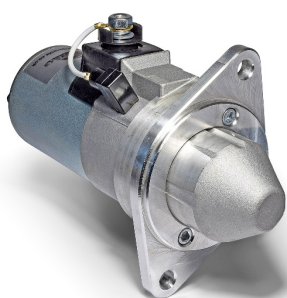


High Torque Starter Motors

RAC812

Direct replacement for original starter, replaces large type 37.5mm pinion.

Slimline unit for Jaguar 2.4, 3.4, 3.8, E Type, Mk II (37.5mm pinion) and MG TB & TC Deceptively powerful, this unit features an epicyclic in-line gear box which delivers extra power when engaged and an internal solenoid. Lightweight, durable and easy to fit, this unit delivers maximum power with minimum efficiency. Designed for negative earth vehicles only.



RAC812

Make	Model	Engine Size	Year
Jaguar	240 (37.5mm pinion)	2.4	1967 - 1969
Jaguar	340 (37.5mm pinion)	3.4	1967 - 1969
Jaguar	E Type (37.5mm pinion)	3.8	1961 - 1968
Jaguar	MK II (37.5mm pinion)	2.4	1959 - 1967
Jaguar	MK II (37.5mm pinion)	3.4	1959 - 1967
Jaguar	MK II (37.5mm pinion)	3.8	1959 - 1967
Jaguar	S Type (37.5mm pinion)	3.4	1963 - 1968
Jaguar	S Type (37.5mm pinion)	3.8	1963 - 1968
MG	TB Midget	1250	1939 -
MG	TC Midget	1250	1945 -



Made in the UK 

RAC812

Item	Value
Kilowatts	1.60 kW
Teeth	10
Voltage	12 V
Weight	3.20 kg