

High Torque Starter Motors

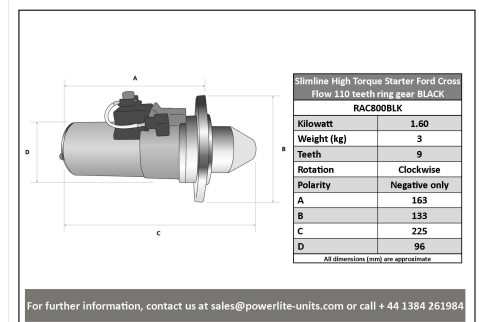
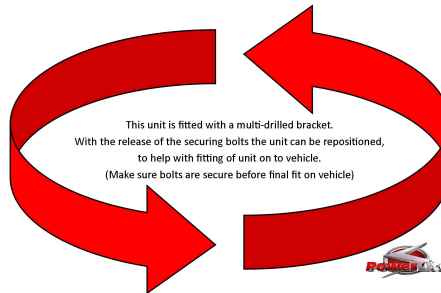
RAC800BLK

Black Edition Slimline! Now available in matt black to mimic the original Lucas type inertia starter motor. Replaces Lucas LRS00100 Inertia Type Starter Motor. Ford X Flow and Pre X Flow with 110 teeth ring gear.

Slimline unit for Ford replacing 3 Bolt X-flow Pre X-flow using 110T ring gear Deceptively powerful, this unit features an epicyclic in-line gear box which delivers extra power when engaged and an internal solenoid. Lightweight, durable and easy to fit, this unit delivers maximum power with minimum effort. Designed for negative earth vehicles only.



MULTI-DRILLED BRACKET FITTED



RAC800BLK

Make	Model	Engine Size	Year
Ford	Capri I	1.3	1969 - 1974
Ford	Cortina	1.3	1976 - 1979
Ford	Cortina	1.3	1979 - 1982
Ford	Cortina	1.6	1976 - 1979
Ford	Cortina	1.6	1979 - 1982
Ford	Escort	0.95	1968 - 1974
Ford	Escort	1.1	1968 - 1975
Ford	Escort	1.3	1968 - 1975
Ford	Escort II	1.1	1975 - 1980
Ford	Escort II	1.3	1975 - 1980
Ford	Escort II	1.6	1975 - 1980
Ford	Escort II 30 Van	1.1	1975 - 1976
Ford	Escort II 30 Van	1.3	1975 - 1976
Ford	Escort II 35 Van	1.1	1976 - 1980
Ford	Escort II 35 Van	1.3	1976 - 1980
Ford	Escort II 45 Van	1.1	1976 - 1980
Ford	Escort II 45 Van	1.3	1976 - 1980
Morgan	Four Four	1.6	1968 - 1982



Made in the UK 

RAC800BLK

Item	Value
Kilowatts	1.60 kW
Teeth	9
Voltage	12 V
Weight	3.00 kg