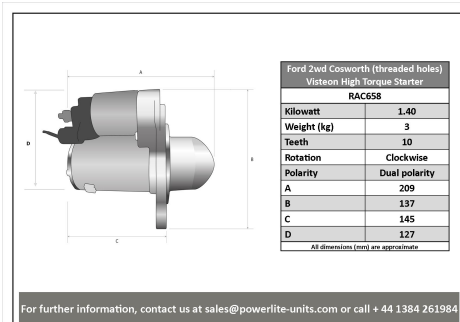
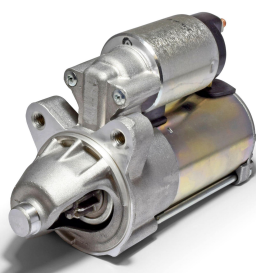
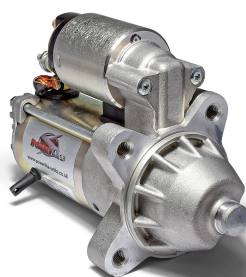


High Torque Starter Motors

RAC658

Original OE Visteon starter motor

Ford 2WD Cosworth YB, Escort, Fiesta, Orion, Sierra II, Zetec standard set up. This is an Original "Visteon" gear reduced starter motor, built to OEM Standards. Compact, lightweight and powerful units delivering huge cranking power



RAC658

Make	Model	Engine Size	Year
Ford	Cosworth		
Ford	Escort III	1.1	1980 - 1986
Ford	Escort III	1.3	1980 - 1986
Ford	Escort III	1.6	1980 - 1986
Ford	Escort III	1.6i	1983 - 1985
Ford	Escort IV	1.4i	1987 - 1990
Ford	Escort IV	1.6i	1986 - 1990
Ford	Escort IV	1.6 XR3i	1986 - 1990
Ford	Escort IV (Automatic)	1.6	1986 - 1990
Ford	Escort V	1.4	1993 - 1994
Ford	Escort V	2.0i RS	1991 - 1994
Ford	Escort V Cosworth	2.0 RS	1992 - 1995
Ford	Escort VI 16V Cosworth 4x4	2.0i	1995 - 1998
Ford	Escort VI 16V RS2000	2.0i	1995 - 1998
Ford	Escort VI 16V RS2000 4x4	2.0i	1995 - 1998
Ford	Fiesta I	1.0	1983 - 1984
Ford	Fiesta I	1.6 XR2	1981 - 1983
Ford	Fiesta II	1.0	1984 - 1986
Ford	Fiesta II	1.1	1983 - 1986
Ford	Fiesta II	1.3	1983 - 1986



Made in the UK 

RAC658

Make	Model	Engine Size	Year
Ford	Fiesta II	1.4	1983 - 1986
Ford	Fiesta II	1.6	1983 - 1989
Ford	Fiesta II	1.6 XR2	1984 - 1989
Ford	Fiesta II (Automatic)	1.6 XR2	1984 - 1986
Ford	Fiesta III	1.4	1989 - 1996
Ford	Orion I	1.3	1983 - 1985
Ford	Orion I	1.6	1983 - 1985
Ford	Orion II	1.3	1985 - 1986
Ford	Orion II	1.6	1985 - 1986
Ford	Orion II (Automatic)	1.4	1986 - 1990
Ford	Orion II (Automatic)	1.6	1986 - 1990
Ford	Orion III	1.6	1990 - 1993
Ford	Sierra II Cosworth	2.0 RS	1986 - 1993
Ford	Zetec Standard set up		
Ford	Tourneo TDCi	1.8	2002 -
Ford	Transit Connect I TDDi	1.8	2002 -



Made in the UK 

RAC658

Item	Value
Kilowatts	1.40 kW
Teeth	10
Voltage	12 V
Weight	3.00 kg