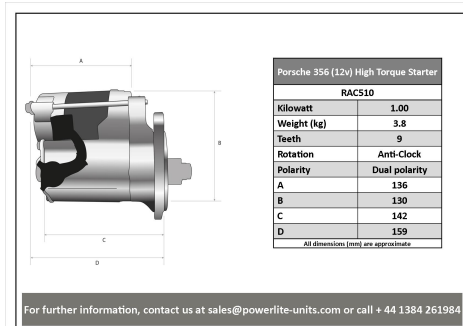
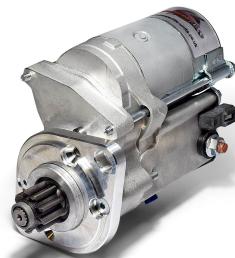
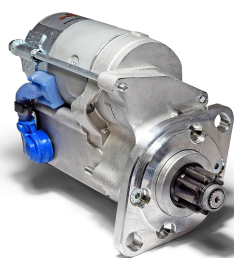


# High Torque Starter Motors

## RAC510

Direct replacement for original. 12 VOLT.

Porsche 356 (12volt version) Strong, powerful, offset gear-reduced starter motor, delivering huge cranking torque through a set of steel internal gears. Lightweight, compact and durable this unit starts the engine faster with immense power, whilst drawing less current from the battery.



### RAC510

Make	Model	Engine Size	Year
Porsche	356 12 volt		

### RAC510

Item	Value
Kilowatts	1.00 kW
Teeth	9
Voltage	12 V
Weight	3.80 kg