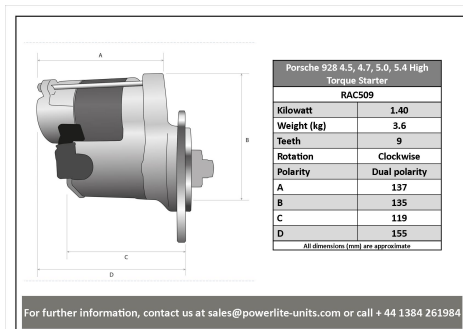
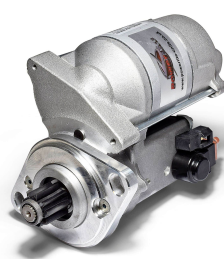
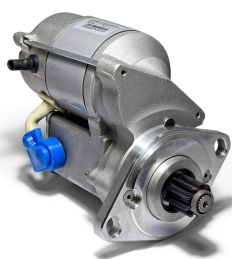


High Torque Starter Motors

RAC509

Direct replacement for original.

Porsche 928 4.5, 4.7, 5.0, 5.4 Strong, powerful, offset gear-reduced starter motor, delivering huge cranking torque through a set of steel internal gears. Lightweight, compact and durable this unit starts the engine faster with immense power, whilst drawing less current from the battery.



RAC509

Make	Model	Engine Size	Year
Porsche	928	4.5	1977 - 1982
Porsche	928	4.7	1979 - 1986
Porsche	928	5.0	1986 - 1991
Porsche	928	5.4	1991 - 1995

RAC509

Item	Value
Kilowatts	1.40 kW
Teeth	9
Voltage	12 V
Weight	3.60 kg