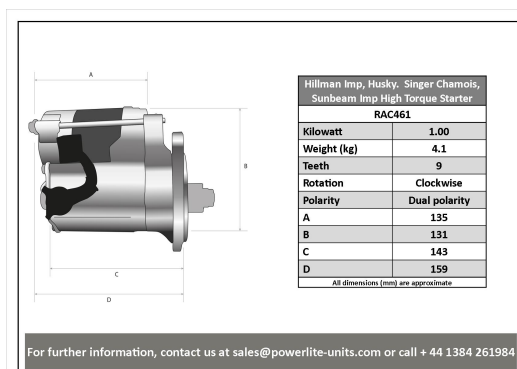
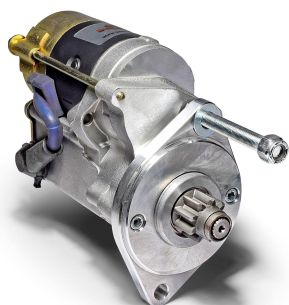


# High Torque Starter Motors

## RAC461

Direct replacement for original.

Hillman Imp, Husky. Singer Chamois, Sunbeam Imp, Stiletto Strong, powerful, offset gear-reduced starter motor, delivering huge cranking torque through a set of steel internal gears. Lightweight, compact and durable this unit starts the engine faster with immense power, whilst drawing less current from the battery.



### RAC461

Make	Model	Engine Size	Year
Darrian	Fitted with Imp engine	0.875	1963 - 1976
Darrian	Fitted with Imp engine	0.998	1963 - 1976
Davrian	Fitted with Imp engine	0.875	1963 - 1976
Davrian	Fitted with Imp engine	0.998	1963 - 1976
Hillman	Husky	0.875	1963 - 1976
Hillman	Husky	0.998	1963 - 1976
Hillman	Imp	0.875	1963 - 1976
Hillman	Imp	0.998	1963 - 1976
Hillman	Imp Californian	0.875	1963 - 1976
Hillman	Imp Californian	0.998	1963 - 1976
Hillman	Imp Rallye	0.875	1963 - 1976
Hillman	Imp Rallye	0.998	1963 - 1976
Hillman	Imp Sport	0.875	1963 - 1976
Hillman	Imp Sport	0.998	1963 - 1976
Singer	Chamois	0.875	1963 - 1976
Singer	Chamois	0.998	1963 - 1976
Singer	Chamois Coupe	0.875	1963 - 1976
Singer	Chamois Coupe	0.998	1963 - 1976
Singer	Chamois Sport	0.875	1963 - 1976



Made in the UK 

### RAC461

Make	Model	Engine Size	Year
Singer	Chamois Sport	0.998	1963 - 1976
Sunbeam	Imp Sport	0.875	1963 - 1976
Sunbeam	Imp Sport	0.998	1963 - 1976
Sunbeam	Stillette	0.875	1963 - 1976
Sunbeam	Stillette	0.998	1963 - 1976

### RAC461

Item	Value
Kilowatts	1.00 kW
Teeth	9
Voltage	12 V
Weight	4.10 kg