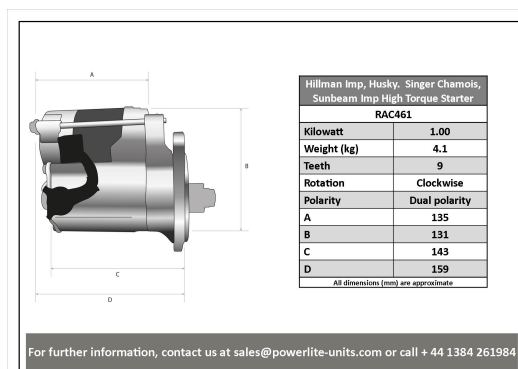
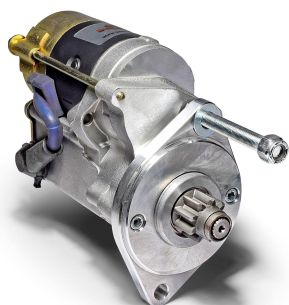


High Torque Starter Motors

RAC461

Direct replacement for original.

Hillman Imp, Husky. Singer Chamois, Sunbeam Imp, Stiletto Strong, powerful, offset gear-reduced starter motor, delivering huge cranking torque through a set of steel internal gears. Lightweight, compact and durable this unit starts the engine faster with immense power, whilst drawing less current from the battery.



RAC461

| Make | Model | Engine Size | Year |
|---------|------------------------|-------------|-------------|
| Darrian | Fitted with Imp engine | 0.875 | 1963 - 1976 |
| Darrian | Fitted with Imp engine | 0.998 | 1963 - 1976 |
| Davrian | Fitted with Imp engine | 0.875 | 1963 - 1976 |
| Davrian | Fitted with Imp engine | 0.998 | 1963 - 1976 |
| Hillman | Husky | 0.875 | 1963 - 1976 |
| Hillman | Husky | 0.998 | 1963 - 1976 |
| Hillman | Imp | 0.875 | 1963 - 1976 |
| Hillman | Imp | 0.998 | 1963 - 1976 |
| Hillman | Imp Californian | 0.875 | 1963 - 1976 |
| Hillman | Imp Californian | 0.998 | 1963 - 1976 |
| Hillman | Imp Rallye | 0.875 | 1963 - 1976 |
| Hillman | Imp Rallye | 0.998 | 1963 - 1976 |
| Hillman | Imp Sport | 0.875 | 1963 - 1976 |
| Hillman | Imp Sport | 0.998 | 1963 - 1976 |
| Singer | Chamois | 0.875 | 1963 - 1976 |
| Singer | Chamois | 0.998 | 1963 - 1976 |
| Singer | Chamois Coupe | 0.875 | 1963 - 1976 |
| Singer | Chamois Coupe | 0.998 | 1963 - 1976 |
| Singer | Chamois Sport | 0.875 | 1963 - 1976 |



Made in the UK 

RAC461

| Make | Model | Engine Size | Year |
|---------|---------------|-------------|-------------|
| Singer | Chamois Sport | 0.998 | 1963 - 1976 |
| Sunbeam | Imp Sport | 0.875 | 1963 - 1976 |
| Sunbeam | Imp Sport | 0.998 | 1963 - 1976 |
| Sunbeam | Stillette | 0.875 | 1963 - 1976 |
| Sunbeam | Stillette | 0.998 | 1963 - 1976 |

RAC461

| Item | Value |
|-----------|---------|
| Kilowatts | 1.00 kW |
| Teeth | 9 |
| Voltage | 12 V |
| Weight | 4.10 kg |