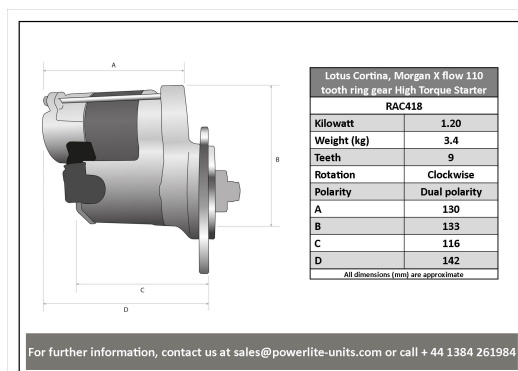
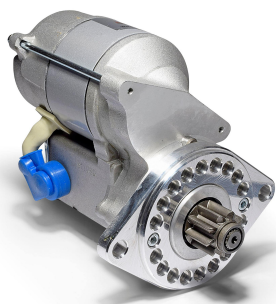


High Torque Starter Motors

RAC418

Lotus Cortina / Morgan X flow, Pre X flow, Kent with a 110t ring gear

Lotus Cortina / Morgan X flow, Pre X flow, Kent with a 110t ring gear Strong, powerful, offset gear-reduced starter motor, delivering huge cranking torque through a set of steel internal gears. Lightweight, compact and durable this unit starts the engine faster with immense power, whilst drawing less current from the battery.



RAC418

Make	Model	Engine Size	Year
Ford	Anglia 105E	997	1959 - 1968
Ford	Anglia 105E	1198	1959 - 1968
Ford	Cortina MK1	1200	1962 - 1966
Ford	Cortina MK1	1500	1962 - 1966
Ford	Cortina MK1	1600	1962 - 1966
Ford	Cortina MK2	1600	1966 - 1970
Ford	Cortina MK2	1300	1966 - 1970
Ford	Cortina MK2	1600	1966 - 1970
Ford	Cortina MK3	1300	1970 - 1976
Ford	Cortina MK3	1600	1970 - 1976
Ford	Cortina MK4	1300	1976 - 1979
Ford	Cortina MK4	1600	1976 - 1979
Ford	Cortina MK5	1300	1979 - 1982
Ford	Cortina MK5	1600	1979 - 1982
Ford	Escort MK1	1600	1967 - 1975
Ford	Escort MK1	1700	1967 - 1975
Lotus	Cortina - 9 tooth with 110 Teeth Ring Gear (Std Fitment)	1600	1963 - 1970
Morgan	Pre X-Flow Engine	1600	1972
Morgan	X-Flow Engine	1600	1972



Made in the UK 

RAC418

Item	Value
Kilowatts	1.20 kW
Teeth	9
Voltage	12 V
Weight	3.40 kg