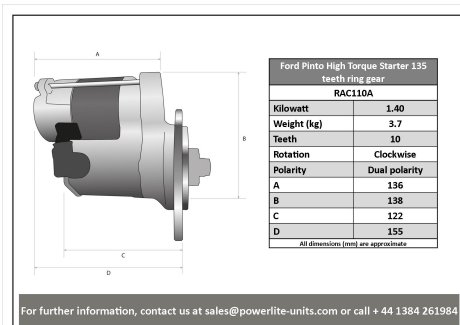
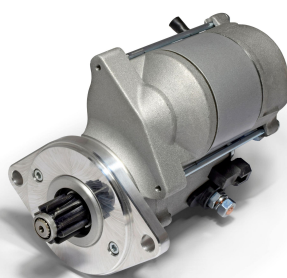
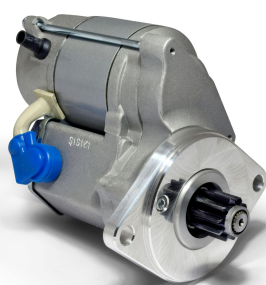


High Torque Starter Motors

RAC110A

Direct replacement for original unit. Suitable for 135T ring gear only. CHECK THE NUMBER OF TEETH BEFORE FITTING. WARNING FORD: Check you have the correct starter for your combination. Please contact if in doubt.

Ford Pinto 135T only Strong, powerful, offset gear-reduced starter motor, delivering huge cranking torque through a set of steel internal gears. Lightweight, compact and durable this unit starts the engine faster with immense power, whilst drawing less current from the battery.



RAC110A

Make	Model	Engine Size	Year
Ford	Pinto OHC Engine		
Ford	Capri MK1	2000	1969 - 1974
Ford	Capri MK2	1600	1974 - 1978
Ford	Capri MK2	2000	1974 - 1978
Ford	Capri MK3	1600	1978 - 1986
Ford	Capri MK3	2000	1978 - 1986
Ford	Cortina MK3	1600	1970 - 1976
Ford	Cortina MK3	2000	1970 - 1976
Ford	Cortina MK4	1600	1976 - 1979
Ford	Cortina MK4	2000	1976 - 1979
Ford	Cortina MK5	1600	1979 - 1982
Ford	Cortina MK5	2000	1979 - 1982
Ford	Escort MK1	2000	1967 - 1975
Ford	Escort MK2	1600	1974 - 1980
Ford	Escort MK2	2000	1974 - 1980
Ford	Granada MK1	2000	1972 - 1977
Ford	Granada MK2	2000	1977 - 1985
Ford	Sierra	1600	1982 - 1993



Made in the UK 

RAC110A

Make	Model	Engine Size	Year
Ford	Sierra	1800	1982 - 1993
Ford	Sierra	2000	1982 - 1993
Morgan	Plus Four (Pinto Engine)	2000	2005 - 2020

RAC110A

Item	Value
Kilowatts	1.40 kW
Teeth	10
Voltage	12 V
Weight	3.70 kg