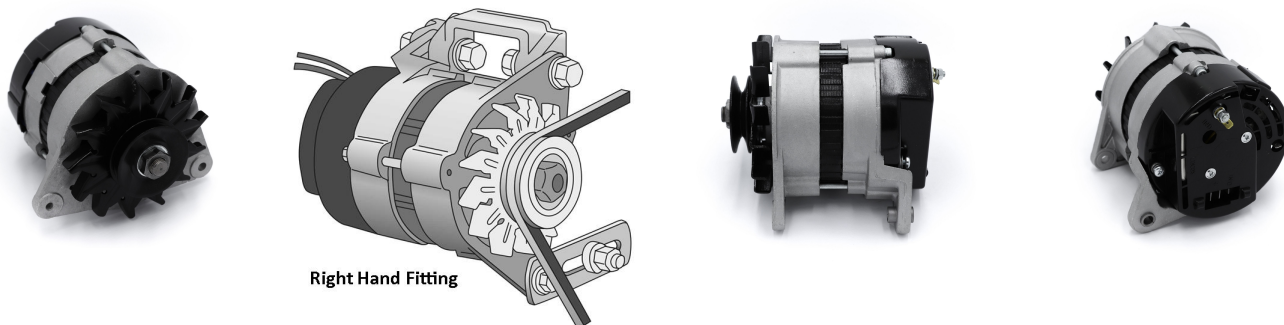


ALTERNATORS

PCA00226

Genuine OE remanufactured A115 Lucas type "right hand" alternator - Upgrade for PCA00100

Genuine OE remanufactured A115 Lucas type "right hand" alternator. This unit is suitable for multiple British Classic applications. It is a fully remanufactured ORIGINAL unit, not a copy and is available as an outright sale - no exchange core required! Negative earth only. GXE2206



PCA00226

Item	Value
Amps	45A
Weight	3.10 kg
Polarity	Negative
Voltage	12V